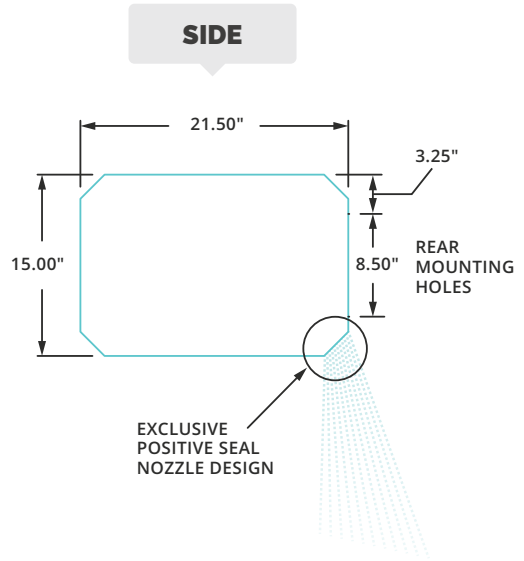


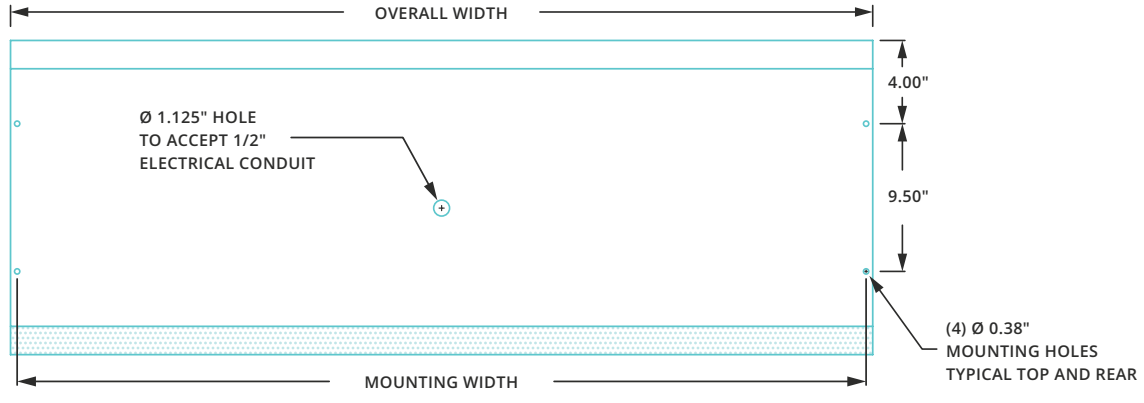
► UVC & UVC-E | MECHANICAL DETAILS & DRAWINGS

UVC & UVC-E | Mechanical Information Table

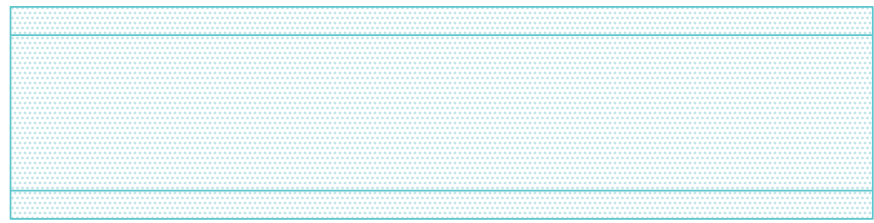
MODEL	Nozzle Width (in.)	Overall Width (in.)	Mounting Width (in.)
UVC-1-36 (E)	36	37	36.06
UVC-1-42 (E)	42	43	42.06
UVC-1-48 (E)	48	49	48.06
UVC-1-60 (E)	60	61	60.06
UVC-2-72 (E)	72	73	72.06
UVC-2-84 (E)	84	85	84.06
UVC-2-96 (E)	96	97	96.06
UVC-3-108 (E)	108	109	108.06
UVC-3-120 (E)	118	119	118.06
UVC-3-132 (E)	133	134	133.06
UVC-4-144 (E)	145	146	145.06



TOP



FRONT



BOTTOM

