

# Pass Thru Window

# MODEL PTW

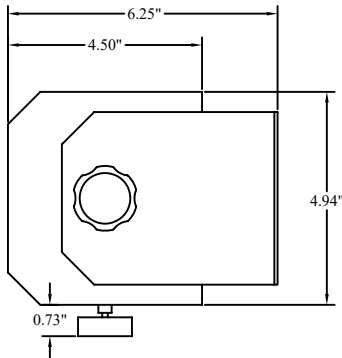
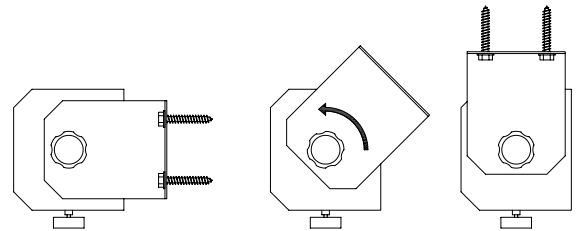
Unheated

## Key Design Features

- Indoor installation at pass thru windows with a maximum height of 42".
- 20 gauge 304 stainless steel outer case with a number three finish.
- 107 watt motor.
- Unit mounted variable speed dial.
- 120 volt power cord plugs into standard receptacle.
- Swivel mounting brackets allow for rear or top mounting and also allow for adjustment of the discharge angle.
- Easy installation.



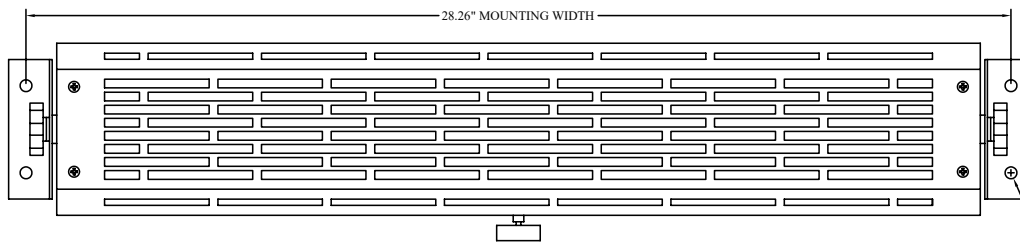
Model	UNHEATED	PTW-24
Avg. velocity at nozzle on highest speed (FPM)		1653
Air flow rate at nozzle on highest speed (CFM)		363
Motor power (Watts)		107
Amp draw		1.7
Weight (lbs.)		13
Sound level (Measured 10' away from unit in a free field on highest speed)		50 dba



0.34" MOUNTING HOLES FOR 5/16" LAGS



FRONT



Mounting Holes

BOTTOM

