

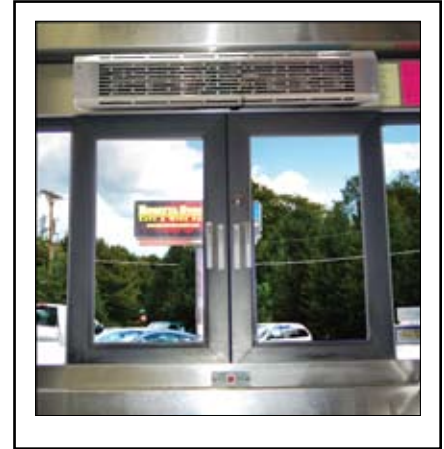
Pass Thru Window

MODEL PTW

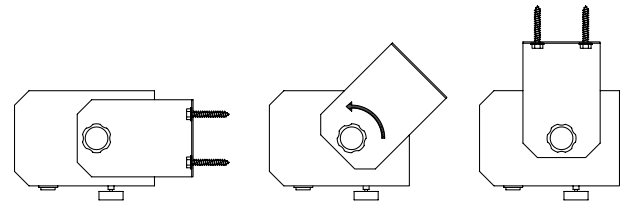
Electrically Heated

Key Design Features

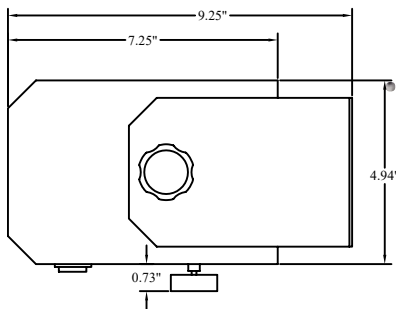
- Indoor installation at pass thru windows with a maximum height of 42".
- 20 gauge 304 stainless steel outer case with a number three finish.
- 107 watt motor.
- Unit mounted variable speed dial with Fan/Off/Heat switch.
- 120 volt power cord plugs into standard 15 amp receptacle.
- Swivel mounting brackets allow for rear or top mounting and also allow for adjustment of the discharge angle.
- Easy installation.



Model	ELECTRICALLY HEATED	PTW-24E
Avg. velocity at nozzle on highest speed (FPM)		1653
Air flow rate at nozzle on highest speed (CFM)		363
Motor power (Watts)		107
Electric heating capacity		1.2 kW
Temperature rise on highest speed		10.6° F
Amp draw		11.2
Weight (lbs.)		21
Sound level (Measured 10' away from unit in a free field on highest speed)		50 dba

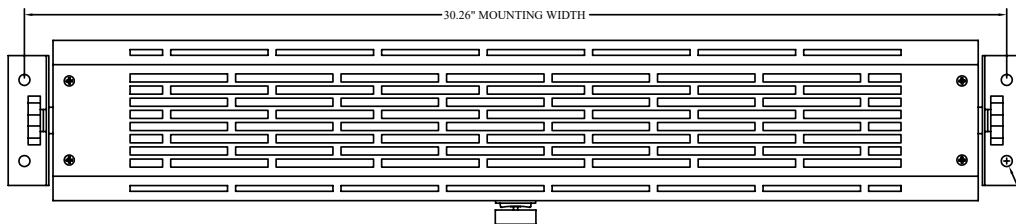


MADE IN THE USA



0.34" MOUNTING HOLES FOR 5/16" LAGS

FRONT



Mounting Holes

BOTTOM

