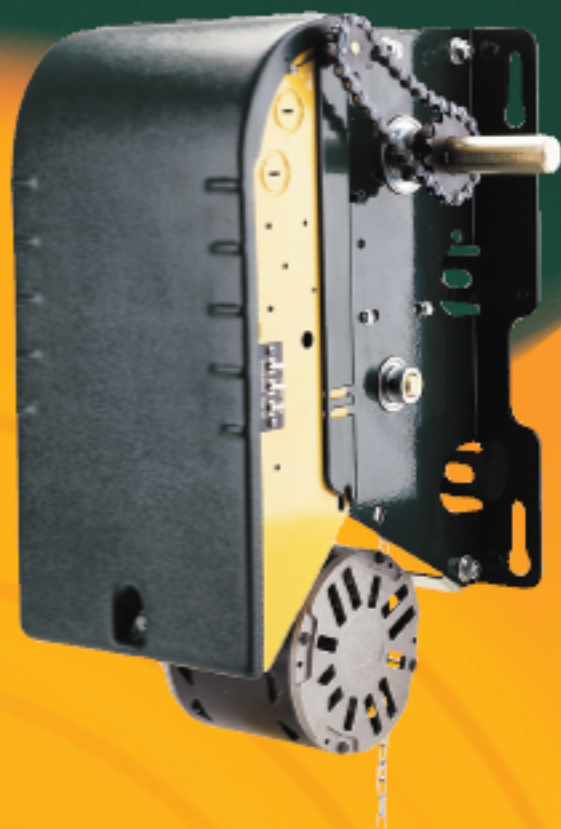


# Specification Sheet

## Opera™ - MJ



- Floor level disconnect for manual operation
- Hinged cover with stable position
- Accu-cam® one hand limit setting

*Opera™-MJ, a medium duty jackshaft operator for standard, high & vertical lift sectional doors or small rolling doors and grilles. It can be wall, hood or shelf mounted on either side of the door. It incorporates an emergency floor level disconnect for manual operation.*

*Opera*™

## • Standard Features

**Motor:** rated 1/2 Hp, 115 Volts, 1 Phase, instant reverse, intermittent duty motor, protected against overload by a built-in thermal protection with automatic reset. Also available with 50Hz motor, consult inside sales.

**Reduction:** first step in reduction 5L/B V-belt drive, additional steps by chain and sprockets. Input shaft is 5/8" in diameter and supported by ball bearings. Output shaft is 1" in diameter with 1/4" keyway and supported by ball bearings. Output shaft speed: 36 rpm.

**Friction Clutch:** positioned on input shaft, easily adjustable from outside.

**Drive:** #41 roller chain with a 41B12 sprocket on operator drive shaft. Door sprocket selected for a door travel of 6"/s to 12"/s.

**Brake:** mechanical brake.

**Manual Operation:** floor level disconnect which must be engaged for manual push-up operation.

**Electrical Enclosure:** all electrical components are in a NEMA 1 enclosure. Electrical enclosure cover is hinged with stable opened position.

**Limit System:** rotary-type oil-impregnated steel cams, commercial grade switches. Limit shaft is supported in frame by self-lubricating bronze bushing for increased precision. Remains in time when there is a manual operation or after the motor has been removed.

**Accu-cam:** precise and quick one-handed adjustment of the limits.

**Corrosion Protection:** frame and control enclosure protected by baked on, long lasting enamel finish. All shafts protected by yellow chromate coating.

**Mounting:** wall, hood, or shelf mounted on the right or on the left of the door.

2 Year Warranty



## • Operator Range

Current Consumption (Amp.)

Horse Power	115 V 1 Ph
1/2	5.0

General Guideline

## • Motor Control

**Control Units:** 24V<sub>ac</sub> control circuit, 40VA class II transformer, fuse protected on output. C2 wiring is standard. B2 can be set very easily by moving one wire. Available options: delay on reverse, timer to close, double limits.

## • Main Options

**Control Accessories:** terminal strip allows connection of 3-button stations (one supplied with the operator), sensing edges, photo cells, one push-button radio control (external strip), ceiling pull and key switches, loop detectors, external interlocks. 2A fuse protected 24V<sub>ac</sub> output is available for accessory power supply.

**Mechanical Accessories:** wall mounting bracket, chain spreader, etc..., consult inside sales.

## • Motor Selection

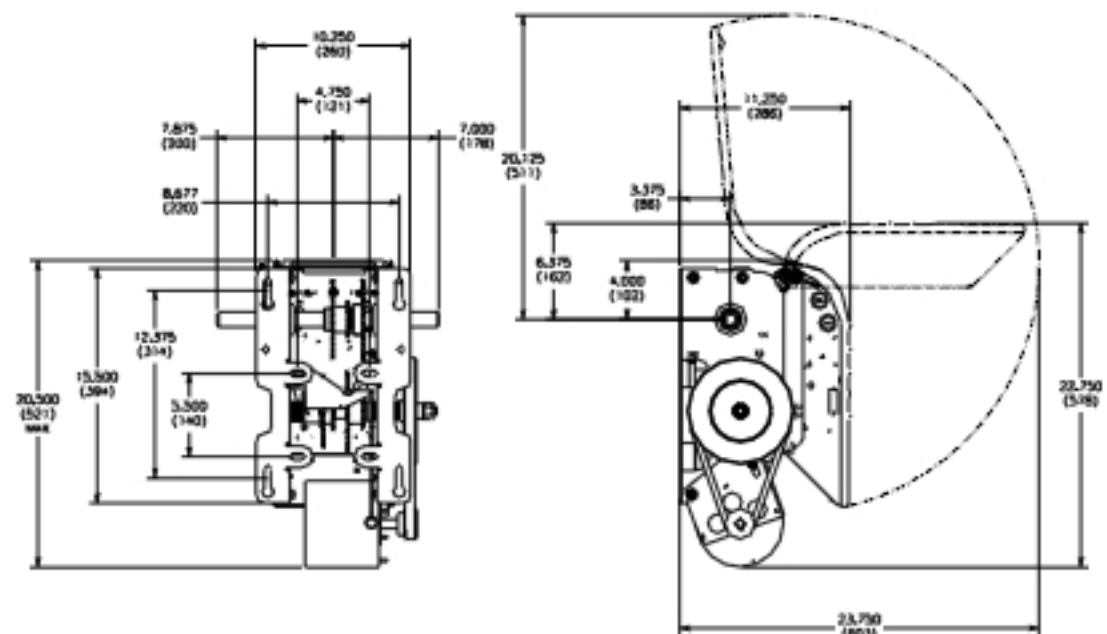
Maximum Size of Door in Square Feet

Horse Power	Rolling Doors					Sectional Doors				
	Insulated Steel	16 ga. Steel	Steel Grilles 20 ga. Steel	Alu. Door 22 ga. Steel	Alu. Grilles 24 ga. Steel	Steel 18 ga. Ins.	Steel 18 ga. 20 ga. Ins.	Wood Steel 20 ga. 22 & 24 ga. Ins.	Aluminum Steel 22 & 24 ga.	Fiber Glass
1/2	-	160	200	275	320	120	160	250	275	290

General Guideline

## • Dimensions

Clearance: side room required 15" (380 mm)  
Maximum door height: 14' (4260 mm)



Approx. shipping weight: 60 lbs – 27 kg

Manaras-Opera reserves the right to make specification or design changes without prior notice.

Reg. T.M. of 9161-0720 Québec Inc.

