

# HDT-HDS

## High Traffic & High Speed Doors



TNR® combines rugged durability with high performance drive systems for demanding industrial and commercial applications:

#### **HIGH TRAFFIC**

and continual process flow demands

#### **HARSH ENVIRONMENTS**

dirt, dust, rain, snow, temperature

#### **DOOR IMPACT CONCERNS**

moving lift trucks, heavy equipment

#### **HIGH WINDLOAD & PRESSURE DIFFERENTIAL**

caused by exterior wind exposure & positive pressure work environments



***Tough 'n' Ready  
For Your Challenging  
Environments***

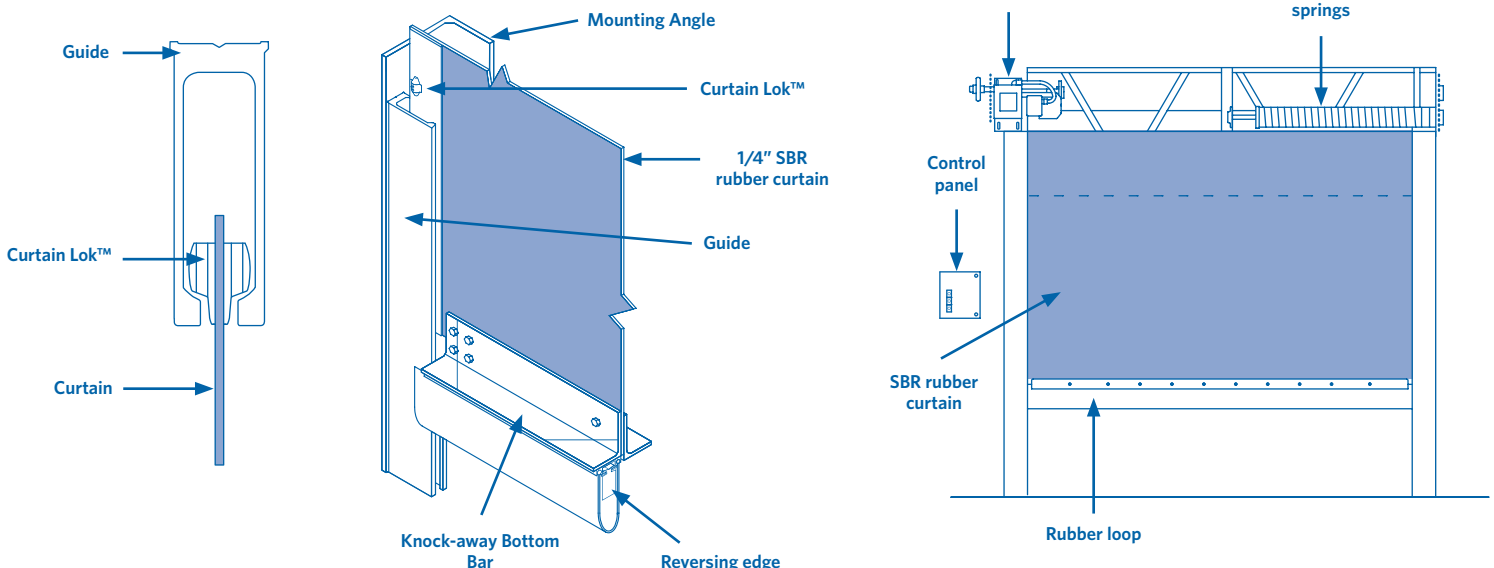
# HDT—Heavy Duty Traffic & HDS—Heavy Duty Speed

**Applications:** Manufacturing, automotive, bus transit stations, parking garages, postal, airports and railways.

**Peace of mind with maximum uptime in your fast-paced, nonstop, rugged workplace. Process and Maintenance Engineers recognize the value of TNR's proven durability and high speed performance.**

Door Features & Benefits	model HDT	model HDS
<b>Door Size</b> — width x height	from 8' x 8' up to 20' x 20'	
<b>Curtain</b> — 1/4" black SBR rubber with polyester core weave. Flexible and resistant to abusive environments and impacts in temperatures from -40°F to +180°F.	●	●
<b>NEWGEN® Guide and Curtain-Lok™ System</b> — Reliable and consistent door operation and impact release performance. No guide gap maintenance required.	●	●
<b>Counterbalance</b> — Torsion spring counterbalance assembly rating	100k	100k
<b>Impactable Bottom Bar</b> — Knock-away double angle steel with EPDM rubber loop. Quickly and easily reset with standard fasteners.	●	●
<b>Self-Supporting Steel Frame</b> — Steel truss, mounting angles and end plates	●	●
<b>Simple Design</b> — No hinges, cables, pulleys or extension springs; reduced clearances. Easy to install and maintain - reduced installation and operating costs.	●	●
<b>Mechanical Options</b> — Colors, windows, hoods, traveling windbar, MSHA rated self-extinguishing curtain.	●	●
<b>Frequency Inverter Drive</b> — Soft-start and Soft-stop increases safety & reduces mechanical wear/breakdown.		●
<b>Opening Speed</b> — inches per second (up to)	30	60
<b>Safety Reversing Edge</b> — Pressure sensitive wireless edge	●	●
<b>Control Panel</b> — Multi-function Programmable Logic Controller, NEMA 4 enclosure	●	●
<b>Control Panel Option</b> — Relay Logic. Simplified controls, easier to repair with standard components. Ideal for remote installations.	●	
<b>Activation Options</b> — Remote controls, pull cords, loop detectors and more.	●	●
<b>Warranty</b> — Limited Lifetime on curtain and NEWGEN guides. Five years or 1,000,000 cycles on operators with frequency drive. Two years on parts and workmanship.	●	●

## NEWGEN® Guide and Curtain Lok™ system



Toll-free 1-866-792-9968 Fax 1-705-735-9564 info@tnrdoors.com TNRdoors.com



Copyright© 2018 TNR Industrial Doors Inc. All rights reserved. All trademarks and registered trademarks are the property of their respective owners. Specifications subject to change.  
Canadian Patents - 2446648, 2436381, 2463208, 2737124. US Patents - 7516770, 6942003, 8291960.