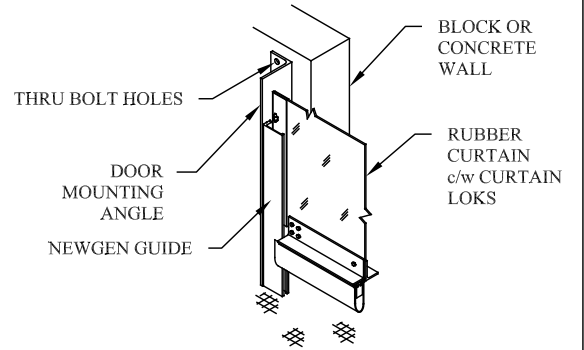


NEWGEN GUIDE AND CURTAIN LOK SYSTEM STEEL JAMB MOUNTING



NEWGEN GUIDE AND CURTAIN LOK SYSTEM CONCRETE WALL MOUNTING \*\*

\*\* CLEARANCE DIMENSION IS 8" FOR CONCRETE MOUNT CONFIGURATION  
 \*\*\* OPTIONAL HOODS REQUIRE 10" & 16 1/2" SIDEROOM, 32" HEADROOM AND 34" OPERATOR PROTRUSION

**TNR INDUSTRIAL DOORS INC.**  
**SHOP DRAWING, MODEL HDS, LEFT HAND**

MECHANICAL OPTIONS	ELECTRICAL OPTIONS	STANDARD SYSTEM INCLUDES	EXT. DETAIL: DOOR MOUNT OPERATOR & C'BAL SPRINGS
<input type="checkbox"/> - GUIDE MOUNTED WINDBAR	<input type="checkbox"/> - FUSED DISCONNECT	- SPEEDS UP TO 60 IPS OPEN, 30 IPS CLOSE	LIMITATIONS: MAX. OPENING WIDTH 20', MAX. OPENING HEIGHT 20'
<input type="checkbox"/> - JAMB MOUNTED WINDBAR	<input type="checkbox"/> - LOOP DETECTOR	- TIMER TO CLOSE (USER SELECT)	DATE DRN: MARCH 18, 2004      REVISION: E - OCT. 10, 2015
<input type="checkbox"/> - 200,000 CYCLE C'BAL SPRINGS	<input type="checkbox"/> - WIRELESS RECEIVER	- NEMA 4 CONTROL PANEL & LIMIT BOX	DRAWN BY: HOWARD MULRAIN      DRAWING No.: D-600-0007
<input type="checkbox"/> - GUIDE GUARDS	<input type="checkbox"/> - WIRELESS TRANSMITTER, QTY. _____	- 100,000 CYCLE COUNTERBALANCE SPRINGS	ELECTRICAL CRITERIA: PLC & FREQUENCY INVERTER DRIVE
<input type="checkbox"/> - *** EXTERIOR HOODS	<input type="checkbox"/> - N 4X, PUSHBUTTON ST'N, QTY. _____	- WIRELESS REVERSING EDGE	CONTROL PANEL NEMA/EEMAC 4 STD. OR _____
<input type="checkbox"/> - *** SAFETY CHAIN GUARDS	<input type="checkbox"/> - MOTION DETECTOR, QTY. _____	- THRU-BEAM PHOTOEYE	PRIMARY POWER SUPPLY: _____ Volts, 3 Phase, 60 Hertz
<input type="checkbox"/> - 16" x 16" WINDOWS, QTY. _____	<input type="checkbox"/> - ADD. THRU-BEAM PHOTOEYE, QTY. _____	- 5" HIGH, BLACK EPDM RUBBER LOOP	OPERATOR CRITERIA: HG, HIGH EFFICIENCY HELICAL GEAR
<input type="checkbox"/> - ELECTRIC REVERSING EDGE	<input type="checkbox"/> - ADD. REFLECTIVE PHOTOEYE, QTY. _____	- KNOCK-AWAY STYLE BOTTOM BAR	LIMIT BOX NEMA/EEMAC 4 STD. OR _____
<input type="checkbox"/> - BLUE EPDM CURTAIN	<input type="checkbox"/> -	- NEWGEN GUIDE AND CURTAIN LOK SYSTEM	____ HP, DOOR SPEED: OPEN UP TO@ ____ ips, CLOSE UP TO@ ____ ips
<input type="checkbox"/> - GRAY EPDM CURTAIN	<input type="checkbox"/> -	- PROGRAMMABLE CONTROLLER	END USER:
<input type="checkbox"/> -	<input type="checkbox"/> -	- FREQUENCY INVERTER	DEALER:
<input type="checkbox"/> -	<input type="checkbox"/> -	-	DOOR SIZE:      SERIAL No.: TNR-