

HDT-HDS

High Traffic & High Speed Doors



TNR® combines rugged durability with high performance drive systems for demanding industrial and commercial applications:

HIGH TRAFFIC

and continual process flow demands

HARSH ENVIRONMENTS

dirt, dust, rain, snow, temperature

DOOR IMPACT CONCERNS

moving lift trucks, heavy equipment

HIGH WINDLOAD & PRESSURE DIFFERENTIAL

caused by exterior wind exposure & positive pressure work environments



***Tough 'n' Ready
For Your Challenging
Environments***

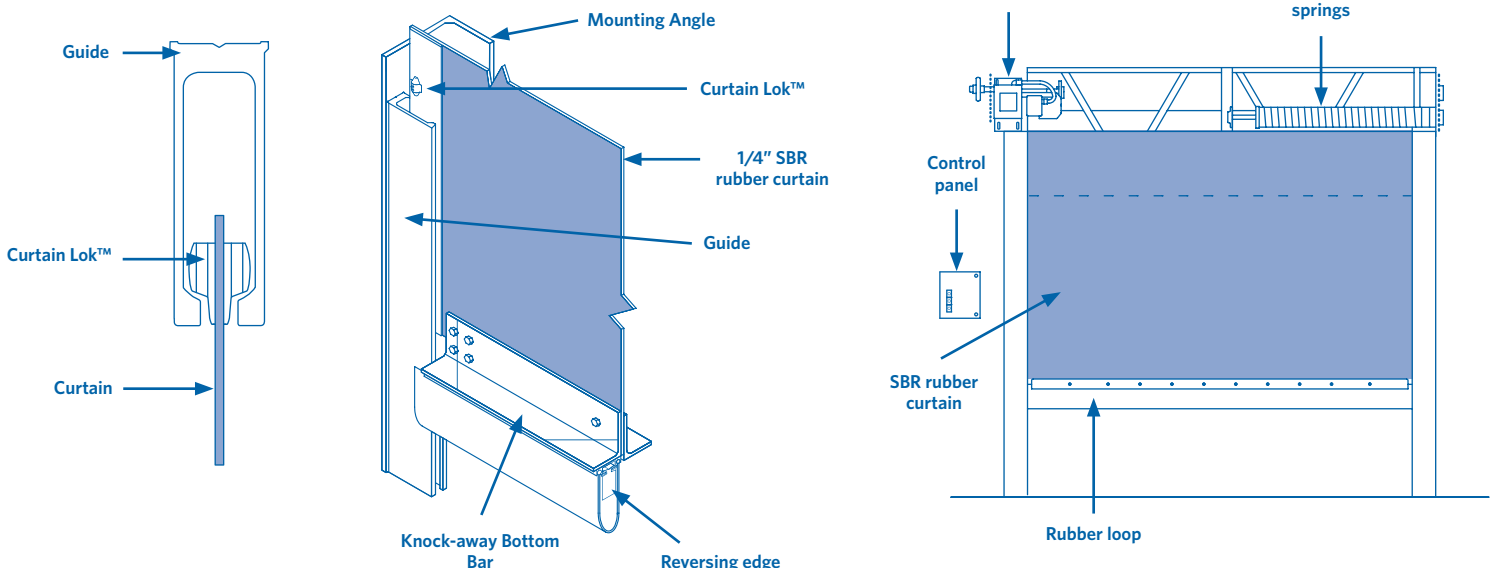
HDT—Heavy Duty Traffic & HDS—Heavy Duty Speed

Applications: Manufacturing, automotive, bus transit stations, parking garages, postal, airports and railways.

Peace of mind with maximum uptime in your fast-paced, nonstop, rugged workplace. Process and Maintenance Engineers recognize the value of TNR's proven durability and high speed performance.

Door Features & Benefits	model HDT	model HDS
Door Size — width x height	from 8' x 8' up to 20' x 20'	
Curtain — 1/4" black SBR rubber with polyester core weave. Flexible and resistant to abusive environments and impacts in temperatures from -40°F to +180°F.	●	●
NEWGEN® Guide and Curtain-Lok™ System — Reliable and consistent door operation and impact release performance. No guide gap maintenance required.	●	●
Counterbalance — Torsion spring counterbalance assembly rating	100k	100k
Impactable Bottom Bar — Knock-away double angle steel with EPDM rubber loop. Quickly and easily reset with standard fasteners.	●	●
Self-Supporting Steel Frame — Steel truss, mounting angles and end plates	●	●
Simple Design — No hinges, cables, pulleys or extension springs; reduced clearances. Easy to install and maintain - reduced installation and operating costs.	●	●
Mechanical Options — Colors, windows, hoods, traveling windbar, MSHA rated self-extinguishing curtain.	●	●
Frequency Inverter Drive — Soft-start and Soft-stop increases safety & reduces mechanical wear/breakdown.		●
Opening Speed — inches per second (up to)	30	60
Safety Reversing Edge — Pressure sensitive wireless edge	●	●
Control Panel — Multi-function Programmable Logic Controller, NEMA 4 enclosure	●	●
Control Panel Option — Relay Logic. Simplified controls, easier to repair with standard components. Ideal for remote installations.	●	
Activation Options — Remote controls, pull cords, loop detectors and more.	●	●
Warranty — Limited Lifetime on curtain and NEWGEN guides. Five years or 1,000,000 cycles on operators with frequency drive. Two years on parts and workmanship.	●	●

NEWGEN® Guide and Curtain Lok™ system



Toll-free 1-866-792-9968 Fax 1-705-735-9564 info@tnrdoors.com TNRdoors.com

