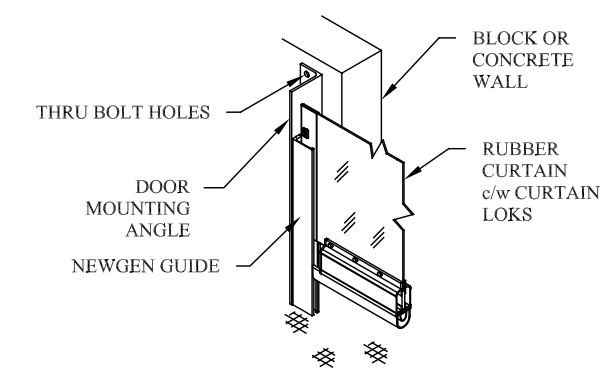


NEWGEN GUIDE AND CURTAIN LOK SYSTEM STEEL JAMB MOUNTING



NEWGEN GUIDE AND CURTAIN LOK SYSTEM CONCRETE WALL MOUNTING \*\*

\*\* CLEARANCE DIMENSION IS 8" FOR CONCRETE MOUNT CONFIGURATION  
 \*\*\* OPTIONAL HOODS REQUIRE 10" & 16 1/2" SIDEROOM, 18" HEADROOM AND 37" OPERATOR PROTRUSION

**TNR INDUSTRIAL DOORS INC.**  
**SHOP DRAWING, MODEL HDLH, LEFT HAND**

MECHANICAL OPTIONS	ELECTRICAL OPTIONS	STANDARD SYSTEM INCLUDES
<input type="checkbox"/> - GUIDE GUARDS	<input type="checkbox"/> - FUSED DISCONNECT	- SPEEDS UP TO 30 IPS OPEN, 12 IPS CLOSE
<input type="checkbox"/> - EXTERIOR HOODS / CHAIN GUARDS	<input type="checkbox"/> - LOOP DETECTOR	- TIMER TO CLOSE (USER SELECT)
<input type="checkbox"/> - 16" x 16" WINDOWS, QTY. _____	<input type="checkbox"/> - WIRELESS RECEIVER	- NEMA 4 CONTROL PANEL & LIMIT BOX
<input type="checkbox"/> - BLUE EPDM CURTAIN	<input type="checkbox"/> - WIRELESS TRANSMITTER, QTY. _____	- DIRECT CONNECT INERTIA BRAKE (OPTIONAL FOR DOORS <= 20' 0" WIDE) (INCLUDED ON ALL DOORS > 20' 0" WIDE)
<input type="checkbox"/> - GRAY EPDM CURTAIN	<input type="checkbox"/> - N 4X, PUSHBUTTON ST'N, QTY. _____	- WIRELESS REVERSING EDGE
<input type="checkbox"/> - OPTIONAL DIRECT CONNECT INERTIA BRAKE FOR DOORS <= 20' 0" WIDE	<input type="checkbox"/> - MOTION DETECTOR, QTY. _____	- THRU-BEAM PHOTOEYE
<input type="checkbox"/> -	<input type="checkbox"/> - ADD. THRU-BEAM PHOTOEYE, QTY _____	- 3" HIGH, BLACK EPDM RUBBER LOOP
<input type="checkbox"/> -	<input type="checkbox"/> - ADD. REFLECTIVE PHOTOEYE, QTY _____	- IMPACTABLE PIVOTING BOTTOM BAR
<input type="checkbox"/> -	<input type="checkbox"/> - REVERSE CHAIN HOIST ON OPERATOR.	- NEWGEN GUIDE AND CURTAIN LOK SYSTEM
<input type="checkbox"/> -	<input type="checkbox"/> -	- PROGRAMMABLE CONTROLLER
<input type="checkbox"/> -	<input type="checkbox"/> -	- FREQUENCY INVERTER

EXT. DETAIL: DOOR MOUNT OPERATOR & INERTIA BRAKE	
LIMITATIONS: MAX. OPENING WIDTH 25', MAX. OPENING HEIGHT 10'	
DATE DR'N: MAR. 27, 2017	REVISION: A - DEC. 01, 2017
DRAWN BY: RUSS BOWMAN	DRAWING No.: D-600-0147
ELECTRICAL CRITERIA: PLC & FREQUENCY INVERTER DRIVE	
CONTROL PANEL NEMA/EEMAC 4 STD. OR _____	
PRIMARY POWER SUPPLY: _____ Volts, 3 Phase, 60 Hertz	
OPERATOR CRITERIA: HG, HIGH EFFICIENCY HELICAL GEAR	
LIMIT BOX NEMA/EEMAC 4 STD. OR _____	
____ HP, DOOR SPEED: OPEN UP TO @ ____ ips, CLOSE UP TO @ ____ ips	
END USER:	
DEALER:	
DOOR SIZE:	SERIAL No.: TNR-