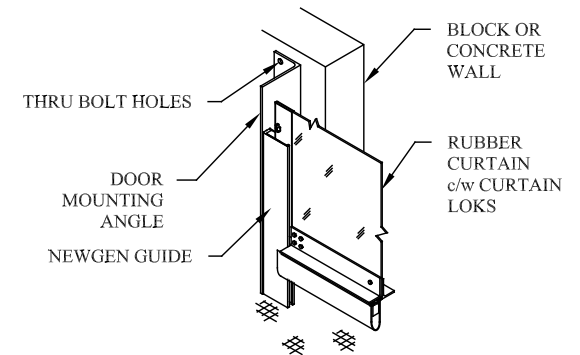


NEWGEN GUIDE AND CURTAIN LOK SYSTEM STEEL JAMB MOUNTING



NEWGEN GUIDE AND CURTAIN LOK SYSTEM CONCRETE WALL MOUNTING **

** CLEARANCE DIMENSION IS 12" FOR CONCRETE MOUNT CONFIGURATION
 *** OPTIONAL HOODS REQUIRE 14" & 18" SIDEROOM, 40" HEADROOM AND 38" OPERATOR PROTRUSION

TNR INDUSTRIAL DOORS INC.

SHOP DRAWING, MODEL HDL45, LEFT HAND

| MECHANICAL OPTIONS | ELECTRICAL OPTIONS | STANDARD SYSTEM INCLUDES |
|--|---|--|
| <input type="checkbox"/> - GUIDE MOUNTED WINDBAR | <input type="checkbox"/> - RELAY LOGIC CONTROLS | - SPEEDS UP TO 20 IPS |
| <input type="checkbox"/> - JAMB MOUNTED WINDBAR | <input type="checkbox"/> - RELAY LOGIC c/w TIMER TO CLOSE | - NEMA 4, WALL MOUNTED CONTROL PANEL |
| <input type="checkbox"/> - GUIDE GUARDS | <input type="checkbox"/> - FUSED DISCONNECT | - NEMA 4 LIMIT BOX ON OPERATOR |
| <input type="checkbox"/> - *** EXTERIOR HOODS | <input type="checkbox"/> - LOOP DETECTOR | - 50,000 CYCLE COUNTERBALANCE SPRINGS |
| <input type="checkbox"/> - *** SAFETY CHAIN GUARDS | <input type="checkbox"/> - WIRELESS RECEIVER | - WIRELESS REVERSING EDGE |
| <input type="checkbox"/> - 16" x 16" WINDOWS, QTY. _____ | <input type="checkbox"/> - WIRELESS TRANSMITTER, QTY. _____ | - THRU-BEAM PHOTOSWITCH |
| <input type="checkbox"/> - BLUE EPDM CURTAIN | <input type="checkbox"/> - N 4X, PUSHBUTTON ST'N, QTY. _____ | - 5" HIGH, BLACK EPDM RUBBER LOOP |
| <input type="checkbox"/> - GRAY EPDM CURTAIN | <input type="checkbox"/> - MOTION DETECTOR, QTY. _____ | - KNOCK-AWAY STYLE BOTTOM BAR |
| <input type="checkbox"/> - 100,000 CYCLE SPRINGS | <input type="checkbox"/> - THRU-BEAM PHOTOSWITCH, QTY. _____ | - NEWGEN GUIDE AND CURTAIN LOK SYSTEM |
| <input type="checkbox"/> - | <input type="checkbox"/> - REFLECTIVE PHOTOSWITCH, QTY. _____ | - PROGRAMMABLE CONTROLLER (PLC) |
| <input type="checkbox"/> - | <input type="checkbox"/> - | - INTEGRATED TIMER TO CLOSE (ADJUSTABLE) |
| <input type="checkbox"/> - | <input type="checkbox"/> - | - |

| | |
|---|-----------------------------|
| EXT. DETAIL: DOOR MOUNT OPERATOR & C'BAL SPRINGS | |
| LIMITATIONS: [20'<OW<=25' & 20'<OH<=30'] OR [25'<OW<=30' & OH<=20'] | |
| DATE DR'N: MAR. 21, 2006 | REVISION: B - OCT. 10, 2015 |
| DRAWN BY: BRYAN AWREY | DRAWING No.: D-600-0029 |
| ELECTRICAL CRITERIA: | |
| CONTROL PANEL NEMA/EEMAC 4 STD. OR _____ | |
| PRIMARY POWER SUPPLY: _____ Volts, 3 Phase, 60 Hertz | |
| OPERATOR CRITERIA: HG, HIGH EFFICIENCY HELICAL GEAR | |
| LIMIT BOX NEMA/EEMAC 4 STD. OR _____ | |
| _____ HP, DOOR SPEED: OPEN & CLOSE @ _____ ips | |
| END USER: | |
| DEALER: | |
| DOOR SIZE: | SERIAL No.: TNR- |