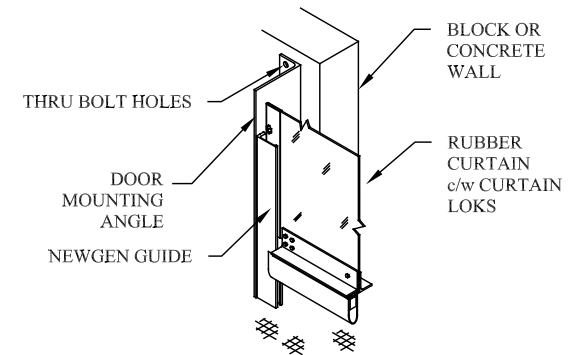


NEWGEN GUIDE AND CURTAIN LOK SYSTEM STEEL JAMB MOUNTING



NEWGEN GUIDE AND CURTAIN LOK SYSTEM CONCRETE WALL MOUNTING **

** CLEARANCE DIMENSION IS 8" FOR CONCRETE MOUNT CONFIGURATION
 *** OPTIONAL HOODS REQUIRE 10" & 16" SIDEROOM, 40" HEADROOM AND 38" OPERATOR PROTRUSION

TNR INDUSTRIAL DOORS INC.

SHOP DRAWING, MODEL HDL23, LEFT HAND

MECHANICAL OPTIONS	ELECTRICAL OPTIONS	STANDARD SYSTEM INCLUDES	EXT. DETAIL: DOOR MOUNT OPERATOR & C/BAL SPRINGS	
<input type="checkbox"/> - GUIDE MOUNTED WINDBAR	<input type="checkbox"/> - RELAY LOGIC CONTROLS	- SPEEDS UP TO 20 IPS	LIMITATIONS: [OW <= 20' & 20' < OH <= 30'] OR [20' < OW <= 25' & OH <= 20']	
<input type="checkbox"/> - JAMB MOUNTED WINDBAR	<input type="checkbox"/> - RELAY LOGIC c/w TIMER TO CLOSE	- NEMA 4, WALL MOUNTED CONTROL PANEL	DATE DR'N: MAR. 15, 2006	REVISION: B - OCT. 10, 2015
<input type="checkbox"/> - GUIDE GUARDS	<input type="checkbox"/> - FUSED DISCONNECT	- NEMA 4 LIMIT BOX ON OPERATOR	DRAWN BY: BRYAN AWREY	DRAWING No.: D-600-0027
<input type="checkbox"/> - *** EXTERIOR HOODS	<input type="checkbox"/> - LOOP DETECTOR	- 50,000 CYCLE COUNTERBALANCE SPRINGS	ELECTRICAL CRITERIA:	
<input type="checkbox"/> - *** SAFETY CHAIN GUARDS	<input type="checkbox"/> - WIRELESS RECEIVER	- WIRELESS REVERSING EDGE	CONTROL PANEL NEMA/EEMAC 4 STD. OR _____	
<input type="checkbox"/> - 16" x 16" WINDOWS, QTY. _____	<input type="checkbox"/> - WIRELESS TRANSMITTER, QTY. _____	- THRU-BEAM PHOTOSWITCH	PRIMARY POWER SUPPLY: _____ Volts, 3 Phase, 60 Hertz	
<input type="checkbox"/> - BLUE EPDM CURTAIN	<input type="checkbox"/> - N 4X, PUSHBUTTON ST'N, QTY. _____	- 5" HIGH, BLACK EPDM RUBBER LOOP	OPERATOR CRITERIA: HG, HIGH EFFICIENCY HELICAL GEAR	
<input type="checkbox"/> - GRAY EPDM CURTAIN	<input type="checkbox"/> - MOTION DETECTOR, QTY. _____	- KNOCK-AWAY STYLE BOTTOM BAR	LIMIT BOX NEMA/EEMAC 4 STD. OR _____	
<input type="checkbox"/> - 100,000 CYCLE SPRINGS	<input type="checkbox"/> - THRU-BEAM PHOTOSWITCH, QTY. _____	- NEWGEN GUIDE AND CURTAIN LOK SYSTEM	_____ HP, DOOR SPEED: OPEN & CLOSE UP TO @ _____ ips	
<input type="checkbox"/> -	<input type="checkbox"/> - REFLECTIVE PHOTOSWITCH, QTY. _____	- PROGRAMMABLE CONTROLLER (PLC)	END USER:	
<input type="checkbox"/> -	<input type="checkbox"/> -	- INTEGRATED TIMER TO CLOSE (ADJUSTABLE)	DEALER:	
<input type="checkbox"/> -	<input type="checkbox"/> -	-	DOOR SIZE:	SERIAL No.: TNR-