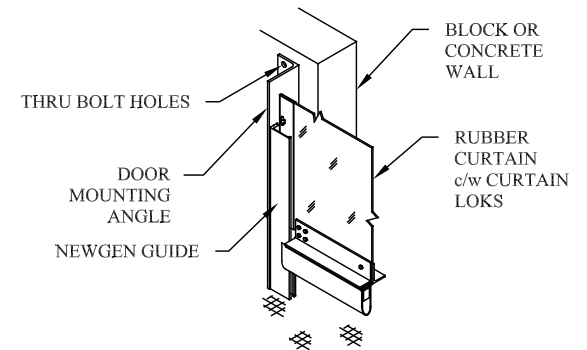
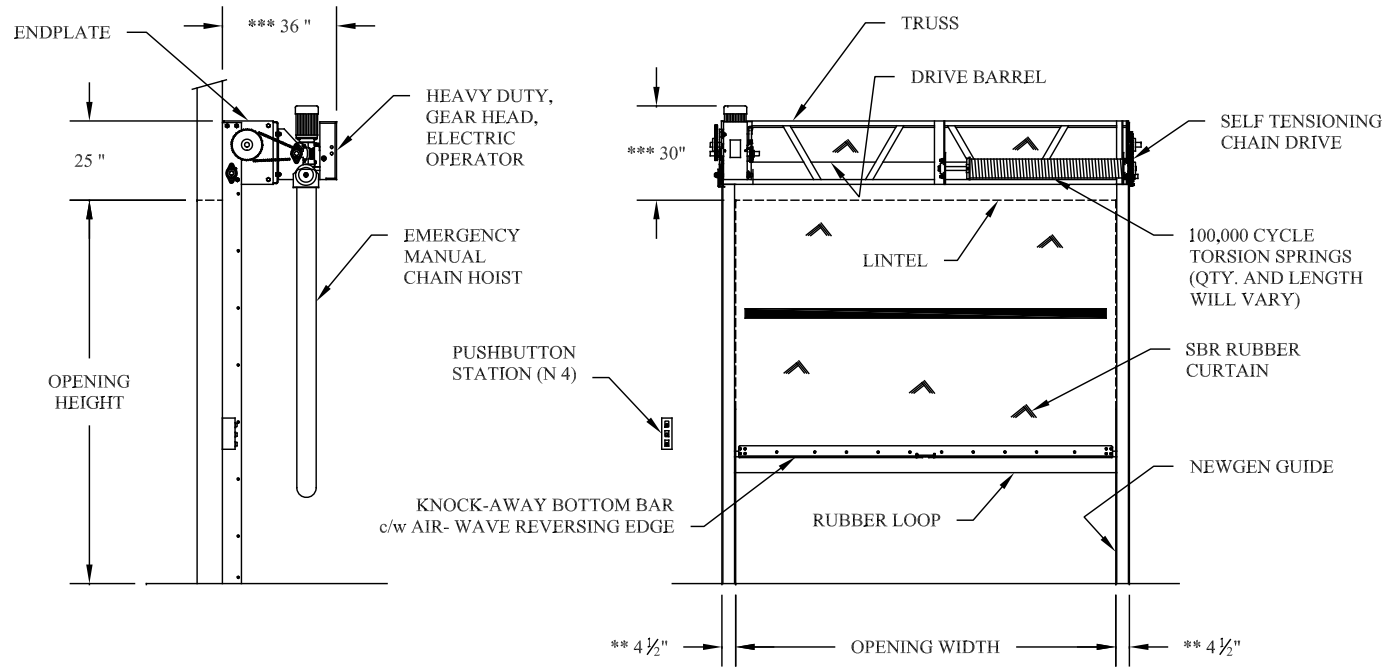


NEWGEN GUIDE AND CURTAIN LOK SYSTEM STEEL JAMB MOUNTING



NEWGEN GUIDE AND CURTAIN LOK SYSTEM CONCRETE WALL MOUNTING **

* OPTIONAL WALL MOUNTED CONTROL PANEL REQUIRED FOR ELECTRICAL OPTIONS NOTED
 ** CLEARANCE DIMENSION IS 8" FOR CONCRETE MOUNT CONFIGURATION
 *** OPTIONAL HOODS REQUIRE 10" SIDEROOM, 33" HEADROOM AND 38" OPERATOR PROTRUSION

TNR INDUSTRIAL DOORS INC.

SHOP DRAWING, MODEL HDE, LEFT HAND

MECHANICAL OPTIONS	ELECTRICAL OPTIONS	STANDARD SYSTEM INCLUDES	EXT. DETAIL: DOOR MOUNT OPERATOR & C'BAL SPRINGS	
<input type="checkbox"/> - GUIDE MOUNTED WINDBAR	<input type="checkbox"/> - WALL MOUNT CONTROL PANEL (RELAY)	- SPEEDS UP TO 18 IPS	LIMITATIONS: MAX. OPENING WIDTH 20', MAX. OPENING HEIGHT 20'	
<input type="checkbox"/> - JAMB MOUNTED WINDBAR	<input type="checkbox"/> - TIMER TO CLOSE (RELAY ONLY)	- OPERATOR MOUNTED CONTROLS	DATE DR'N: NOVEMBER 27, 2003	REVISION: H - OCT. 10, 2015
<input type="checkbox"/> - 200,000 CYCLE C'BAL SPRINGS	<input type="checkbox"/> - WALL MOUNT CONTROL PANEL (PLC)	- NEMA 1 LIMIT BOX, NEMA 4X PUSHBUTTON	DRAWN BY: HOWARD MULRAIN	DRAWING No.: D-600-0001
<input type="checkbox"/> - GUIDE GUARDS	<input type="checkbox"/> - * FUSED DISCONNECT	- 100,000 CYCLE COUNTERBALANCE SPRINGS	ELECTRICAL CRITERIA:	
<input type="checkbox"/> - *** EXTERIOR HOODS	<input type="checkbox"/> - * LOOP DETECTOR	- WIRELESS REVERSING EDGE	OPTIONAL CONTROL PANEL NEMA/EEMAC 4 STD. OR _____	
<input type="checkbox"/> - *** SAFETY CHAIN GUARDS	<input type="checkbox"/> - * WIRELESS RECEIVER	- THRU-BEAM PHOTOEYE	PRIMARY POWER SUPPLY: _____ Volts, 3 Phase, 60 Hertz	
<input type="checkbox"/> - 16" x 16" WINDOWS, QTY. _____	<input type="checkbox"/> - WIRELESS TRANSMITTER, QTY. _____	- 5" HIGH, BLACK EPDM RUBBER LOOP	OPERATOR CRITERIA: RG GEAR HEAD	
<input type="checkbox"/> - ELECTRIC REVERSING EDGE	<input type="checkbox"/> - N 4X, PUSHBUTTON ST'N, QTY. _____	- KNOCK-AWAY STYLE BOTTOM BAR	LIMIT BOX NEMA/EEMAC 1 STD. OR _____	
<input type="checkbox"/> - BLUE EPDM CURTAIN	<input type="checkbox"/> - MOTION DETECTOR, QTY. _____	- NEWGEN GUIDE AND CURTAIN LOK SYSTEM	_____ HP, DOOR SPEED: OPEN & CLOSE UP TO @ _____ ips	
<input type="checkbox"/> - GRAY EPDM CURTAIN	<input type="checkbox"/> - ADD. THRU-BEAM PHOTOEYE, QTY. _____	-	END USER:	
<input type="checkbox"/> -	<input type="checkbox"/> - ADD. REFLECTIVE PHOTOEYE, QTY. _____	-	DEALER:	
<input type="checkbox"/> -	<input type="checkbox"/> -	-	DOOR SIZE:	SERIAL No.: TNR-