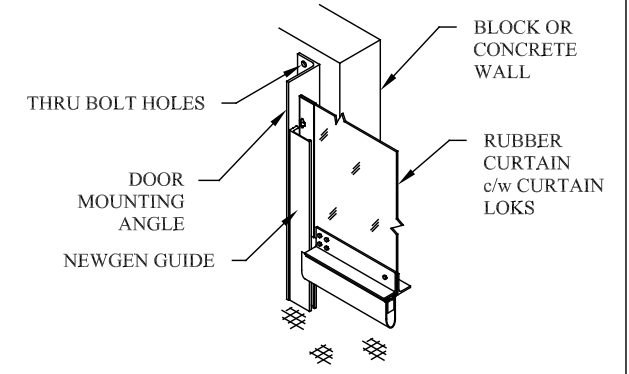
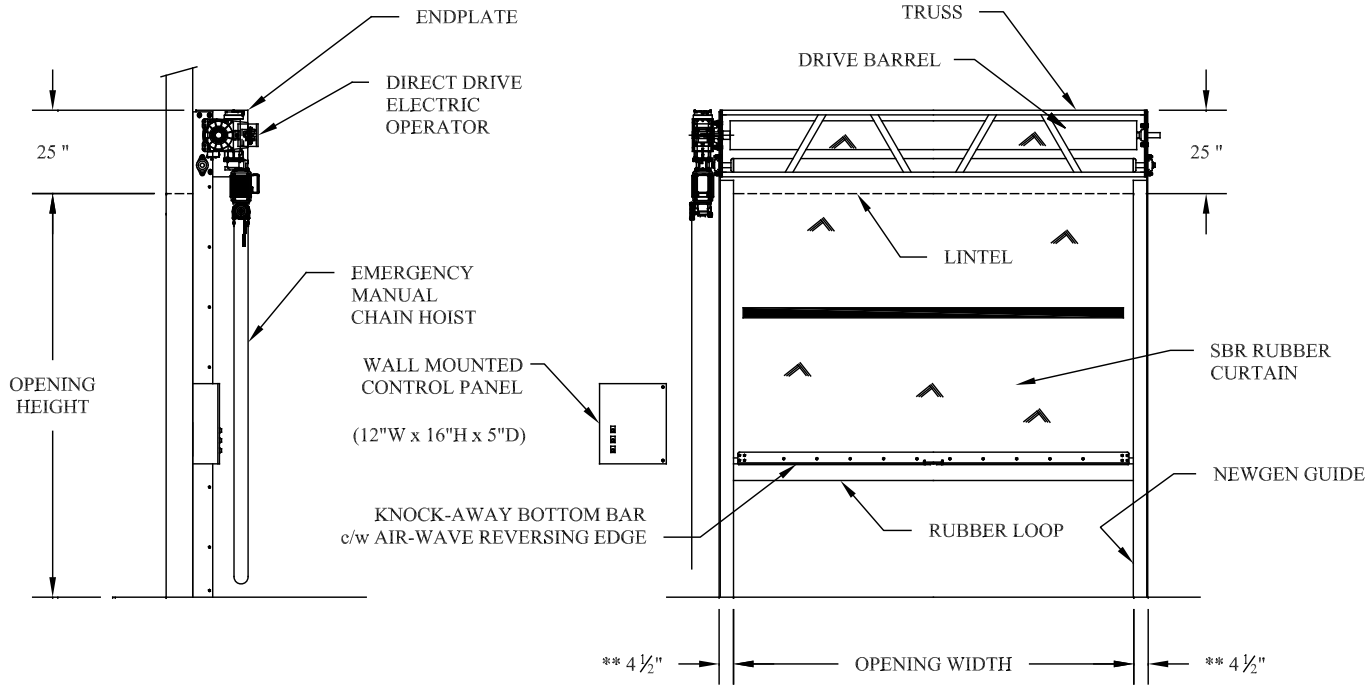


NEWGEN GUIDE AND CURTAIN LOK SYSTEM STEEL JAMB MOUNTING



NEWGEN GUIDE AND CURTAIN LOK SYSTEM CONCRETE WALL MOUNTING **

** CLEARANCE DIMENSION IS 8" FOR CONCRETE MOUNT CONFIGURATION
 *** OPTIONAL HOODS REQUIRE 10" & 17" SIDEROOM, 29" HEADROOM AND 21" OPERATOR PROTRUSION
 **** FOR OPTIONAL JAMB MOUNTED WINDBAR ADD 6" TO OPENING HEIGHT
 *****IF 600V SUPPLY, THEN CONTROL PANEL (20"W x 24"H x 9.25"D).

TNR INDUSTRIAL DOORS INC.

SHOP DRAWING, MODEL HDC-DD, LEFT HAND

MECHANICAL OPTIONS	ELECTRICAL OPTIONS	STANDARD SYSTEM INCLUDES
<input type="checkbox"/> - GUIDE MOUNTED WINDBAR	<input type="checkbox"/> - LOOP DETECTOR	- SPEEDS UP TO 48 IPS OPEN, 30 IPS CLOSE
<input type="checkbox"/> - JAMB MOUNTED WINDBAR	<input type="checkbox"/> - WIRELESS RECEIVER	- TIMER TO CLOSE (USER SELECT)
<input type="checkbox"/> - GUIDE GUARDS	<input type="checkbox"/> - WIRELESS TRANSMITTER, QTY. _____	- NEMA 4 CONTROL PANEL & OPERATOR
<input type="checkbox"/> - *** EXTERIOR HOODS	<input type="checkbox"/> - N 4X, PUSHBUTTON ST'N, QTY. _____	- PROGRAMMABLE CONTROLLER
<input type="checkbox"/> - 16" x 16" WINDOWS, QTY. _____	<input type="checkbox"/> - MOTION DETECTOR, QTY. _____	- FREQUENCY INVERTER
<input type="checkbox"/> - ELECTRIC REVERSING EDGE	<input type="checkbox"/> - ADD. THRU-BEAM PHOTOEYE, QTY. _____	- REVERSING EDGE
<input type="checkbox"/> - BLUE EPDM CURTAIN	<input type="checkbox"/> - ADD. REFLECTIVE PHOTOEYE, QTY. _____	- 5" HIGH, BLACK EPDM RUBBER LOOP
<input type="checkbox"/> - GRAY EPDM CURTAIN	<input type="checkbox"/> -	- KNOCK-AWAY STYLE BOTTOM BAR
<input type="checkbox"/> -	<input type="checkbox"/> -	- NEWGEN GUIDE AND CURTAIN LOK SYSTEM
<input type="checkbox"/> -	<input type="checkbox"/> -	- THRU-BEAM PHOTOEYE
<input type="checkbox"/> -	<input type="checkbox"/> -	- ROTARY DISCONNECT
<input type="checkbox"/> -	<input type="checkbox"/> -	-

EXT. DETAIL: DIRECT DRIVE OPERATOR	
LIMITATIONS: (OW<=20' 0" & OH<=20' 0") or (OW<=25' 0" & OH<=15' 0")	
DATE DR'N: MARCH 5, 2013	REVISION: K - JUNE 26, 2017
DRAWN BY: SHANE GARRATT	DRAWING No.: D-600-0088
ELECTRICAL CRITERIA: PLC & FREQUENCY INVERTER DRIVE	
CONTROL PANEL NEMA/EEMAC 4 STD. OR _____	
PRIMARY POWER SUPPLY: _____ Volts, 3 Phase, 60 Hertz	
OPERATOR CRITERIA: DIRECT DRIVE	
OPERATOR NEMA/EEMAC 4 STD. OR _____	
3.25 HP, DOOR SPEED: OPEN UP TO @ _____ ips, CLOSE UP TO @ _____ ips	
END USER:	
DEALER:	
DOOR SIZE:	SERIAL No.: TNR-