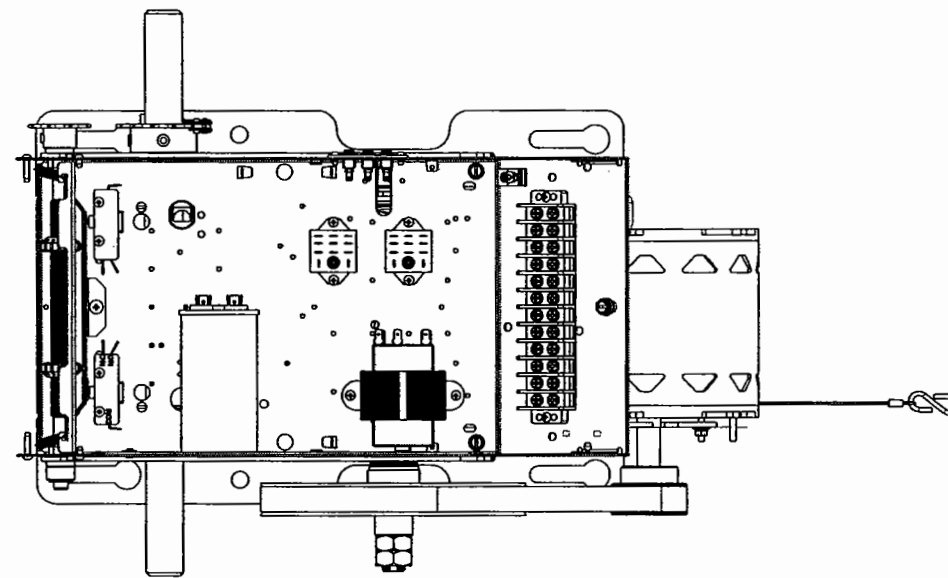
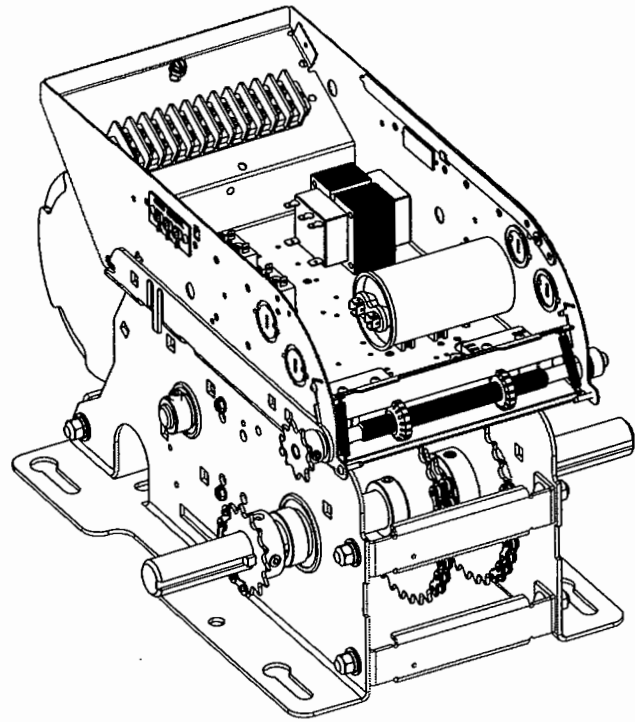


71	1	S HOOK	HOOK001	
72	1	SHAFT #2 LIMIT SHAFT C12L14	SHAFT103	5
73	1	SHIM WASHER (.750X1.125X.031) ZP	WASHER058	
74	1	SPR410B14A28X3/4	SPR410B14A28X3/4	
75	1	SPR410B32X1	SPR410B32X1	
76	1	SPR410B9X3/8 2SS	SPR410B9X3/8	
77	1	SPROCKET 410B14 X 1K0 1S3/8	SPR410B14X1	
78	4	STD SINGLE LIMIT SWITCH	LIMIT015	
79	1	STEEL COLLAR 0.375" IDX(22563)	COLLAR002	
80	1	TERMINAL STRIP 12 POSITIONS	TSTRIP001	
81	2	TIE-WRAP ANCHOR	SUPPORT003	
82	2	TOGGLE SWITCH SPRING	SPRING030	
83	1	TRANSFO 120/240-24 40VA	TRANSF143	
84	7	TYPE A PLAIN WASHER 1/4 W ZP	WASHER007	
85	1	TYPE A PLAIN WASHER 3/16 ZP	WASHER003	
86	2	TYPE A PLAIN WASHER 5/8 N ZP	WASHER014	
87	3	TYPE A PLAIN WASHER NO 8 ZP	WASHER002	
88	1	TYPE B PLAIN WASHER No.4 R ALU	WASHER056	
89	1	TYPE B, INSIDE LENGTH 26	VBELTB26	

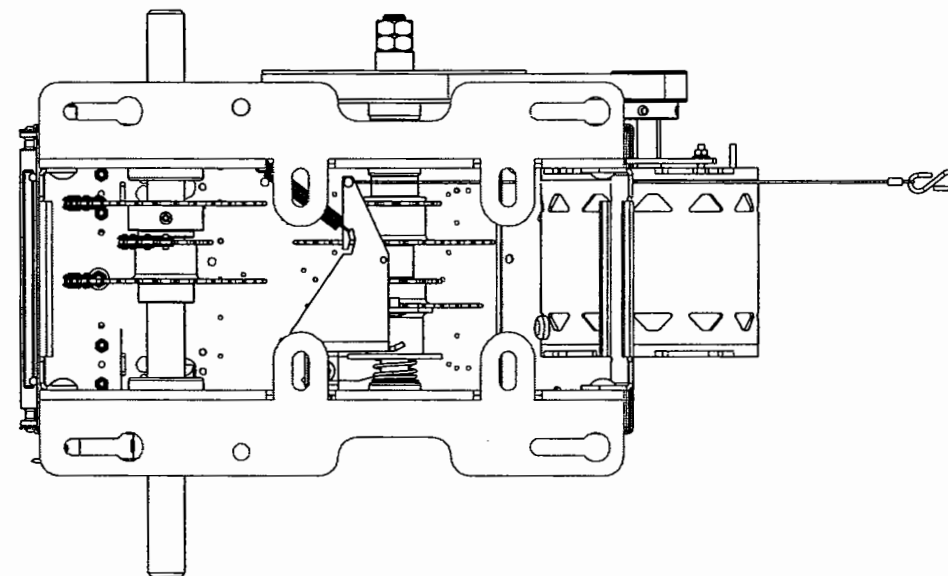
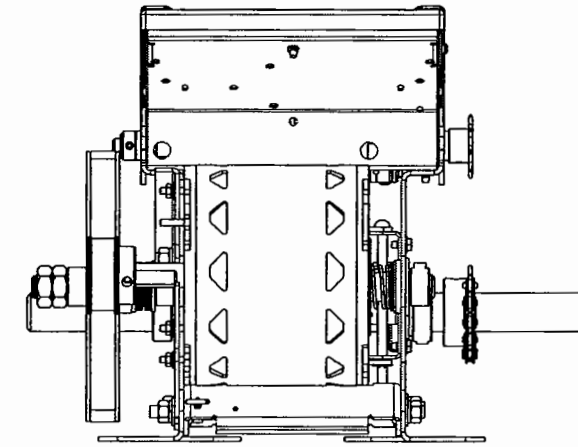
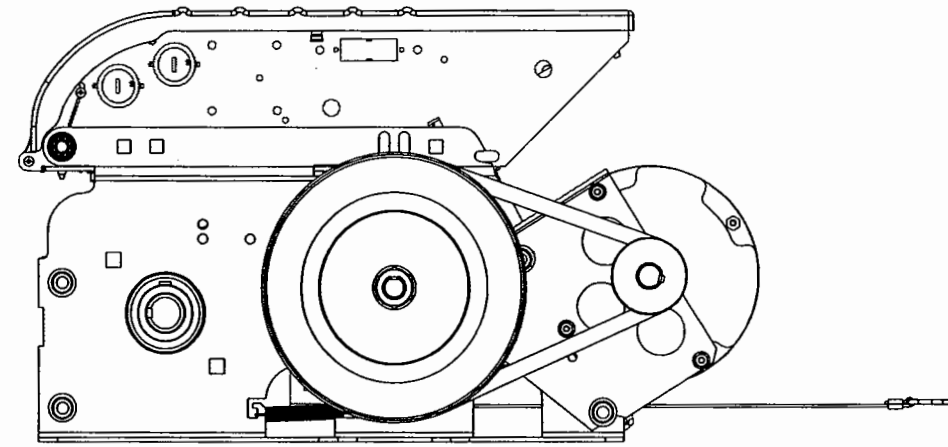
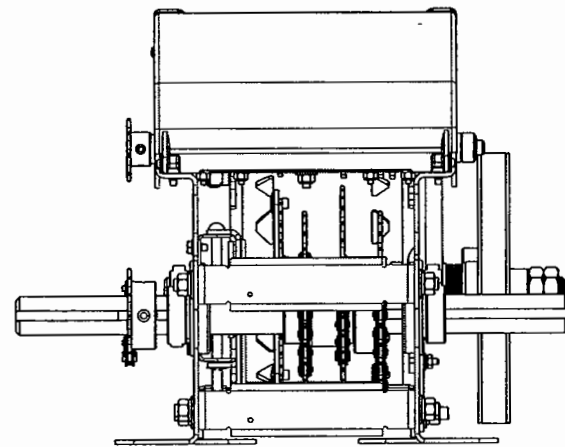
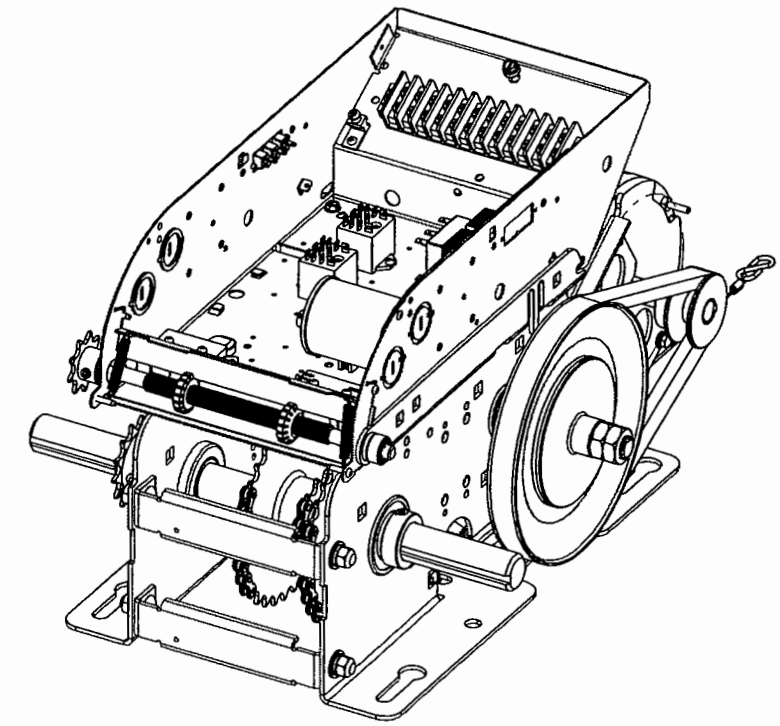
No	Qty	DESCRIPTION	# MANARAS	REV
1	4	6-32 HEX NYLON LOCK NUT ZP	NUT018	
2	4	6-32 X 1-5/8	SCREW097	
3	13	6-32 X 3/8 TYPE F S-TAP. SCREW	SCREW094	
4	4	6-32 X 5/8 TYPE F S-TAP. SCREW	SCREW095	
5	1	7 X 7 1/16 X 16" C/W STOP 1 END	CABLE012	
6	3	8-32 HEX NUT ZP	NUT003	
7	1	10-24 X 3/4 TYPE F S-TAP. SCREW	SCREW023	
8	4	10-24 X 3/8 TYPE F S-TAP. SCREW	SCREW022	
9	1	10-32 HEX NYLON LOCK NUT ZP	NUT019	
10	1	10-32 X 1/2 MACHINE SCREW	SCREW054	
11	1	10-32 X 3/16 SET SCREW	SCREW098	
12	1	70 MF 250vac/B50/60HZ	CAPACITOR024	
13	1	#410-1R32P(INCL.1CAL)	CHAIN006	
14	3	#410-1R48P(INCL.1CAL)	CHAIN058	
15	2	1/4-20 X 5/16 SET SCREW	SCREW001	
16	1	410B14A32X.75-KO-SO-PHO	SPR00003	
17	7	5/16-18 HEX NUT ZP	NUT007	
18	1	5/16-18 X 1 RND HD SQ NECK BOLT	BOLT098	
19	6	5/16-18 X 3/4 RND HD SQ NECK BOLT	BOLT093	
20	10	5/16-18 X 5/16 SET SCREW	SCREW003	
21	2	5/8-18 HEX JAM NUT ZP	NUT013	
22	9	BELLEVILLE WASHER (31.5X16.3X0.8)	WASHER035	
23	1	CABLE SLEEVE 1/16	SLEEVE001	
24	1	CABLE STRAIN RELIEF 5/8 OD	BUSHING058	
25	2	CAM LIMIT OPERA	CAM011	2
26	1	CL.PAD 5/8x4x0.125"	CLUTCHPAD005	3
27	3	COLLAR 1"	COLLAR007	
28	1	COLLAR 3/4	COLLAR005	
29	2	COLLAR 5/8"	COLLAR004	
30	1	COMP. SPRING 1"ID 2"L	SPRING041	
31	1	COUPLING 3/4 2 PINS 1/4	COUPLING014	2
32	1	DISCONNECT FORK	FORK001	5
33	1	DISCONNECT FORK AXLE	PIN022	
34	1	DOUBLE SPROCKET OPERA 1"	SPR410B14A32X1	2
35	1	EXT. SPRING 3/8 OD	SPRING042	
36	1	EXTERNAL 3/8 RETAINING RING	CLIP021	
37	2	FLANGE BEARING 1" C16-3F*5	BEARING007	
38	2	FLANGE BEARING 5/8 c10-22F*3	BEARING005	
39	1	FORK / SWITCH SUPPORT	BRACKET192	1
40	1	GROUND LUG TA61G-UL	CONNECTOR039	
41	3	HELICAL SPRING LOCK WASH NO 10 ZP	WASHER025	
42	7	HELICAL SPRING LOCK WASHER 5/16 ZP	WASHER028	
43	2	IDEL 24 VAC RELAY TRIPLE POLE	RELAY039	
44	1	INPUT SHAFT OPJ	SHAFT107	2
45	1	KEY 1/4 X 1	KW021	5
46	1	KEY 3/16 X 1-1/2 ROUNDED ENDS	KW013	5
47	1	KEY 3/16 X 9/16	KW031	5
48	1	LEFT HAND SIDE FOR OPERA	FRAME038	17
49	1	LEFT MD MOTOR PLATE	PLATE080	2
50	1	M.AOS 1/2 60 115 OPD 48Y	MOTOR260	
51	1	MOTOR PULLEY 2.0 x 5/8 5L STL	PULLEY014	1
52	1	OPERA CBOX CAMPLATE	CAMPLATE015	5
53	1	OPERA CLUTCHPLATE	CLUTCHPLATE006	3
54	1	OPERA CONTROL BOX	CBOX025	35
55	1	OPERA CONTROL BOX COVER	COVER047	8
56	1	OPERA COVER ARM	ARM025	3
57	1	OPERA LIMIT LEVER	LEVER070	8
58	2	OPERA LIMIT SHAFT BUSHING	BUSHING055	1
59	3	OPERA MD FRAME SPACER	SPACER012	2
60	1	OPERA OUTPUT SHAFT	SHAFT102	5
61	1	OPERA SPACER 3/4"	SPACER008	1
62	1	OPERA-MJ SPACER 3/16 X 1"	SPACER013	
63	1	PIN SLOTTED SPRING 3/16 X 2	PIN008	
64	1	PIN SLOTTED SPRING 5/16 X 2	PIN021	
65	1	POP RIVET 1/8 X (0.126-0.187)	RIVET003	
66	1	PULLEY 7" x 5/8" 5L/B	PULLEY020	5
67	1	PUSH NUT 177-061	CLIP015	
68	1	PUSH NUT 1/4"	CLIP016	
69	1	RADIO CONTROL TERM STRIP	TSTRIP005	
70	1	RIGHT HAND SIDE FOR OPERA	FRAME037	17

PART DESCRIPTION		OPERA-MJ	
PART NUMBER	OPERA-MJ	MANARAS-OPERA 136 ONEIDA DRIVE POINTE-CLAIRE, QC, H9R 1A8	
DRAWN DATE:	2002-05-10	TEL: 1-800-361-2260	
LAST UPDATE:	2009-04-01	INITIAL	G.T
		DRAWN BY:	SHEET:
		C. CLAUDEL	1 of 2

CONFIDENTIAL: THIS DRAWING AND/OR THE INFORMATION CONTAINED HEREIN IS AND REMAINS THE SOLE PROPERTY OF, AND IS PROPRIETARY TO, MANARAS-OPERA. THIS DRAWING AND/OR INFORMATION SHALL BE KEPT CONFIDENTIAL AND MAY NOT BE REPRODUCED, COPIED, MODIFIED, DISCLOSED, TRANSFERRED, OR MADE AVAILABLE TO OTHERS, EXCEPT WITH THE EXPRESS CONSENT OF MANARAS-OPERA. IT IS LOANED IN CONFIDENCE FOR MUTUAL ASSISTANCE PURPOSES ONLY. MANARAS-OPERA MAY AT ANY TIME, WRITTEN MODIFY THE DRAWING AND/OR INFORMATION CONTAINED HEREIN.



TOP AND ISO VIEWS WITHOUT COVER047



PART DESCRIPTION		OPERA-MJ	
PART NUMBER		OPERA-MJ	
DRAWN DATE:		2007-12-04	
LAST UPDATE:		INITIAL	
2009-04-01		G.T	
MANARAS-OPERA 136 ONEIDA DRIVE POINTE-CLAIRE, QC, H9R 1A8 TEL: 1-800-361-2260 FAX: 1-888-626-0606			

Manaras
Opera

DRAWN BY: G. THOMAS SHEET: 2 of 2

CONFIDENTIAL: THIS DRAWING AND/OR THE INFORMATION CONTAINED HEREIN IS AND REMAINS THE SOLE PROPERTY OF, AND IS PROPRIETARY TO, MANARAS-OPERA. THIS DRAWING AND/OR INFORMATION SHALL BE KEPT CONFIDENTIAL AND MAY NOT BE REPRODUCED, COPIED, MODIFIED, DISCLOSED, TRANSFERRED, OR MADE AVAILABLE TO OTHERS, EXCEPT WITH THE EXPRESS CONSENT OF MANARAS-OPERA. IT IS LOANED IN CONFIDENCE FOR MUTUAL ASSISTANCE PURPOSES ONLY. MANARAS-OPERA MAY AT ANY TIME, WRITTEN MODIFY THE DRAWING AND/OR INFORMATION CONTAINED HEREIN.